



# SPARE PARTS EXPLODED VIEW GAS-STAND. BOILER ATM. BURNER

Model

## TRIGON XXL EVO

R8218144-01 - 30/11/2018

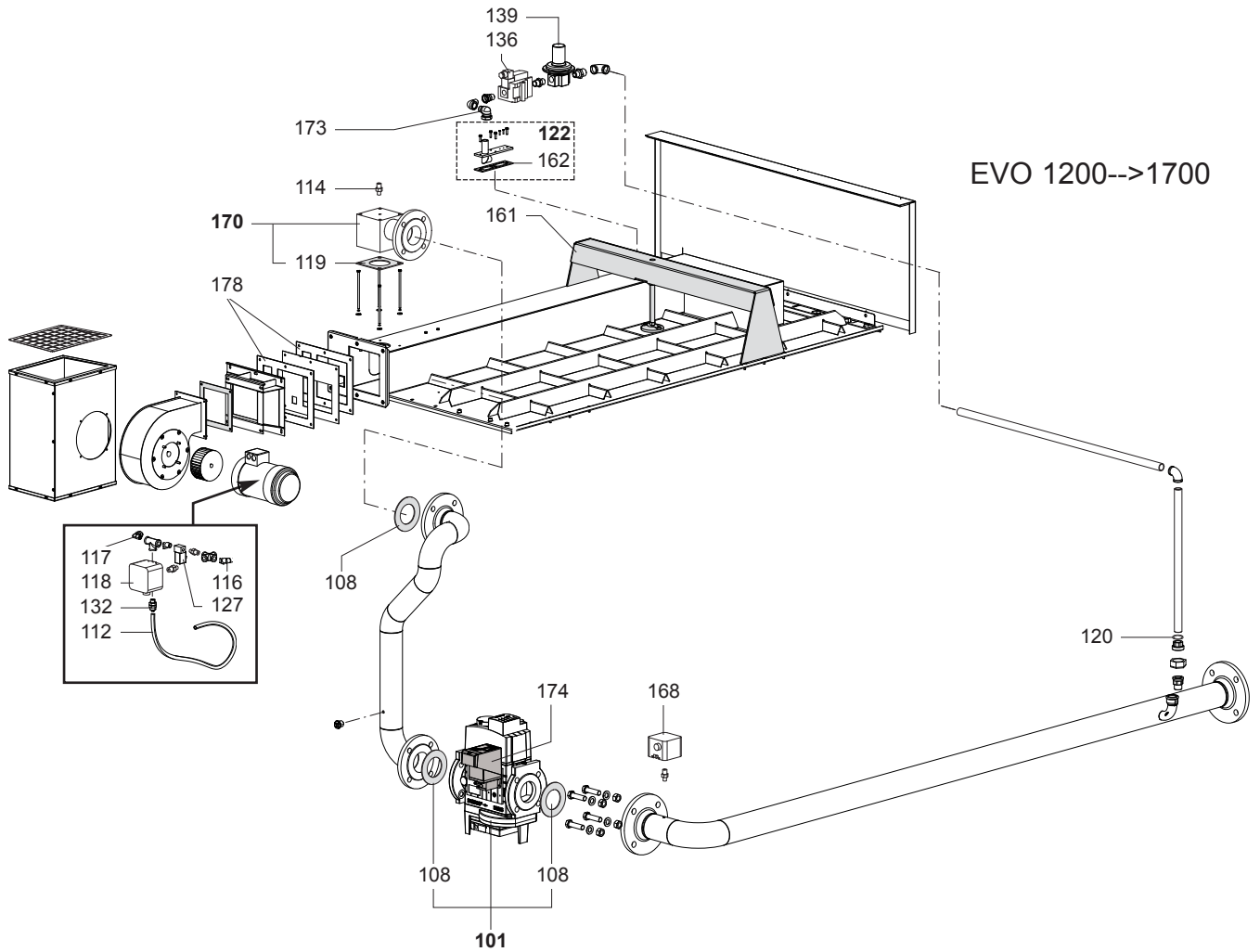
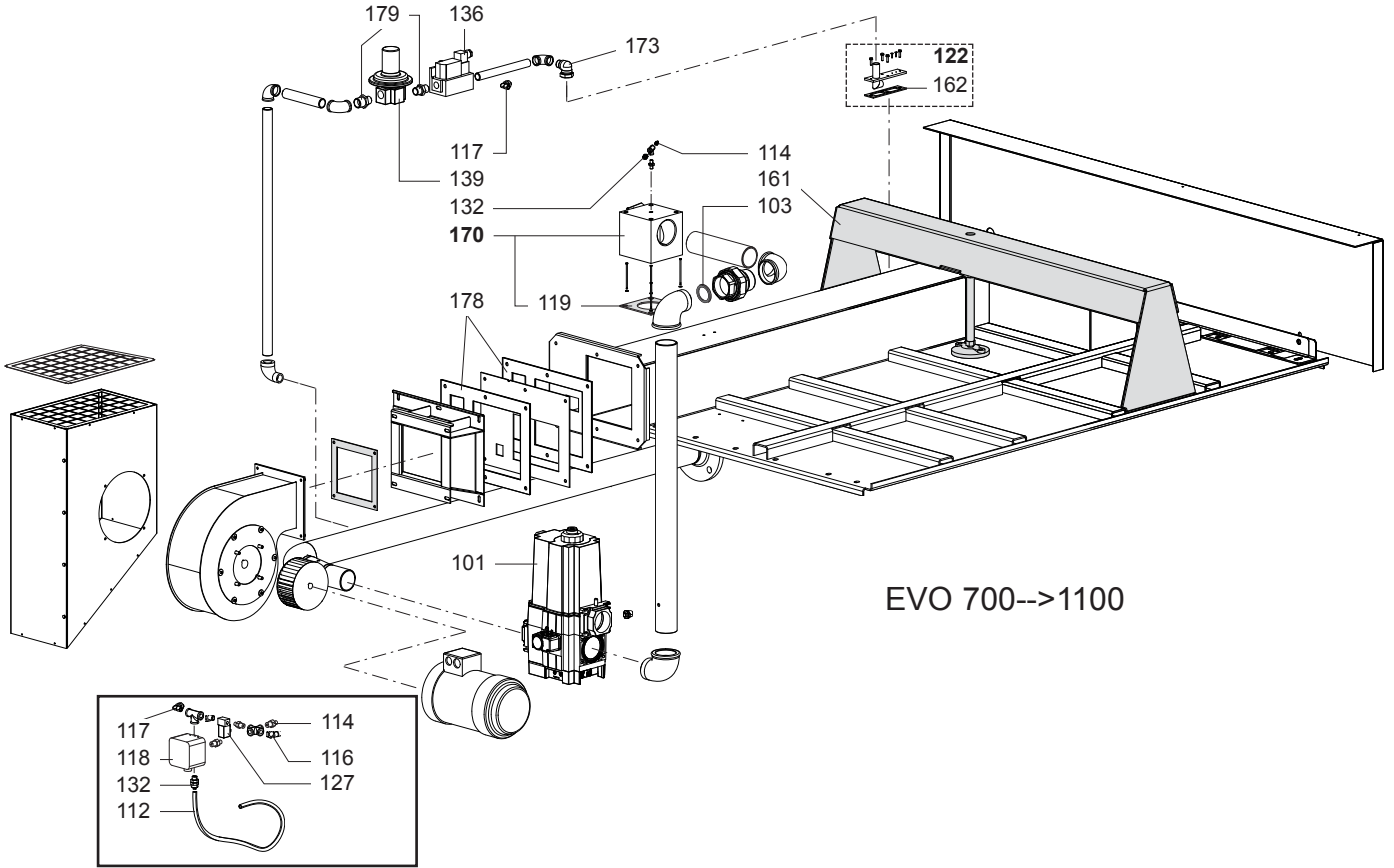
TRIGON XXL EVO

Gas-stand. boiler atm. burner

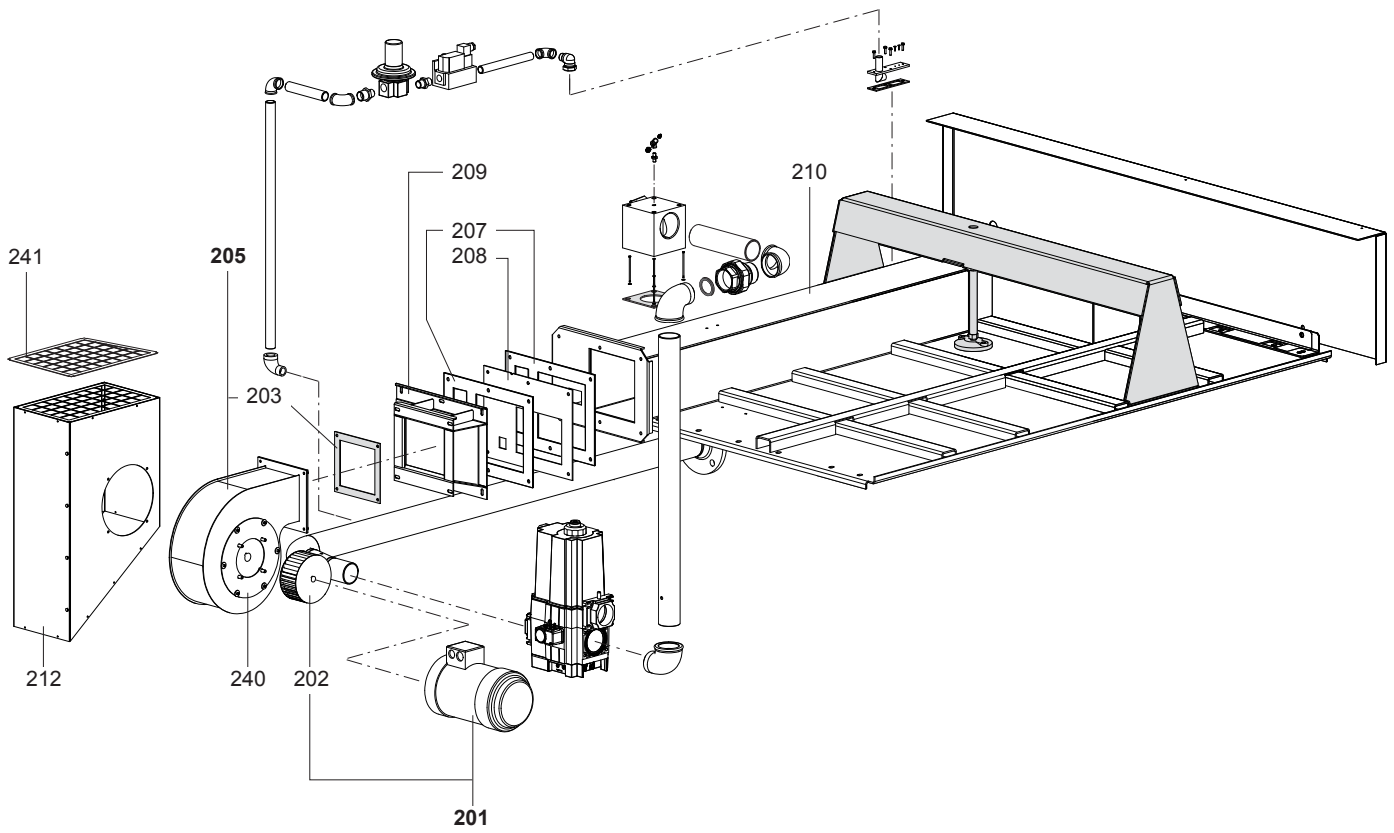
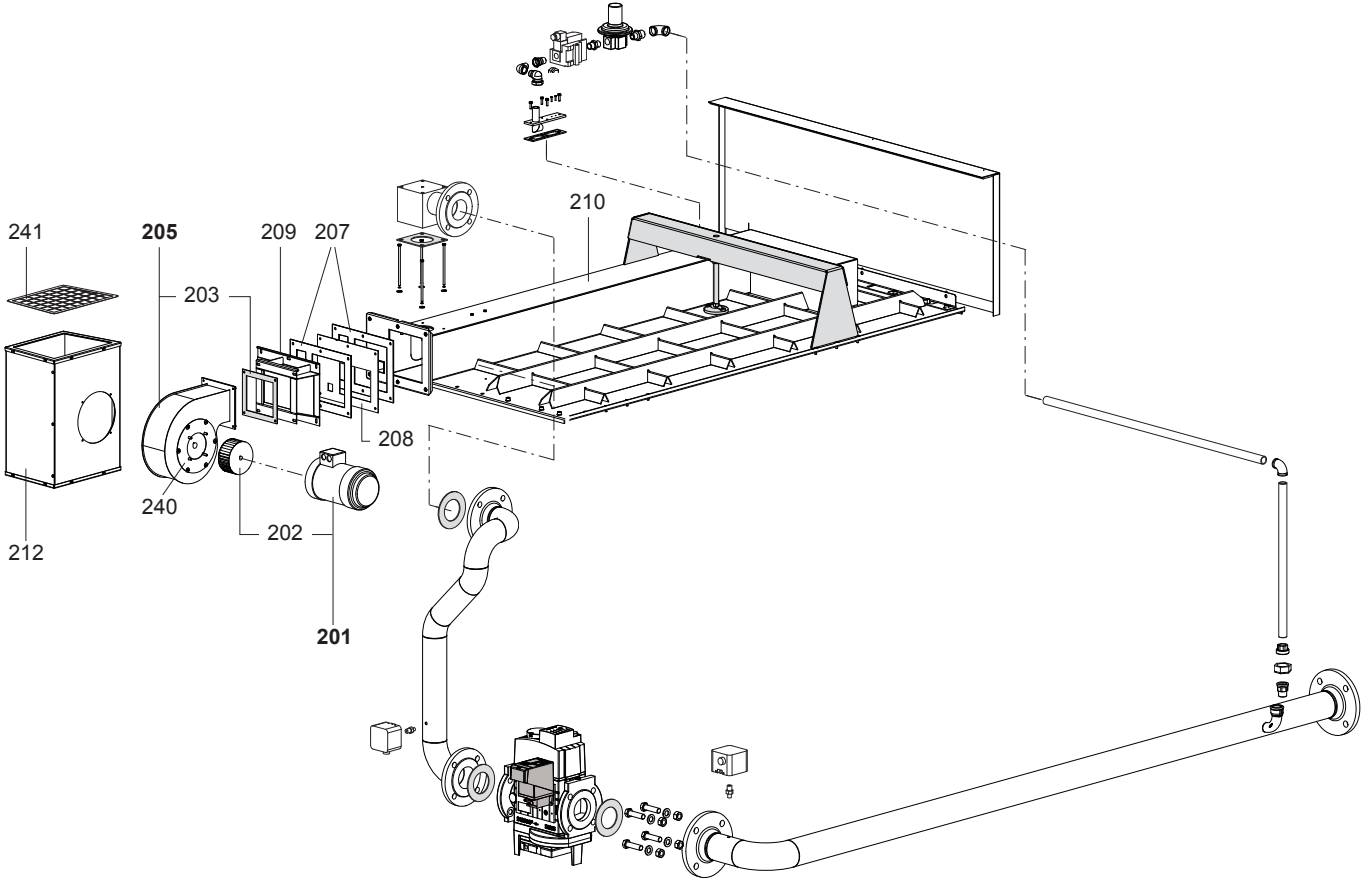
1	3581766	TRIGON XXL EVO 700	04-2018	-
1	3581912	TRIGON XXL EVO 700L	10-2018	-
2	3581767	TRIGON XXL EVO 800	04-2018	-
2	3581913	TRIGON XXL EVO 800L	10-2018	-
3	3581768	TRIGON XXL EVO 900	04-2018	-
3	3581914	TRIGON XXL EVO 900L	10-2018	-
4	3581769	TRIGON XXL EVO 1000	04-2018	-
4	3581915	TRIGON XXL EVO 1000L	10-2018	-
5	3581770	TRIGON XXL EVO 1100	04-2018	-
5	3581916	TRIGON XXL EVO 1100L	10-2018	-
6	3581771	TRIGON XXL EVO 1200	04-2018	-
6	3581917	TRIGON XXL EVO 1200L	10-2018	-
7	3581772	TRIGON XXL EVO 1400	04-2018	-
7	3581918	TRIGON XXL EVO 1400L	10-2018	-
8	3581773	TRIGON XXL EVO 1550	04-2018	-
8	3581919	TRIGON XXL EVO 1550L	10-2018	-
9	3581774	TRIGON XXL EVO 1700	04-2018	-
9	3581920	TRIGON XXL EVO 1700L	10-2018	-

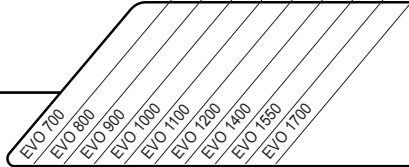

  

Col	Reference	Model type	Begin	End
-----	-----------	------------	-------	-----



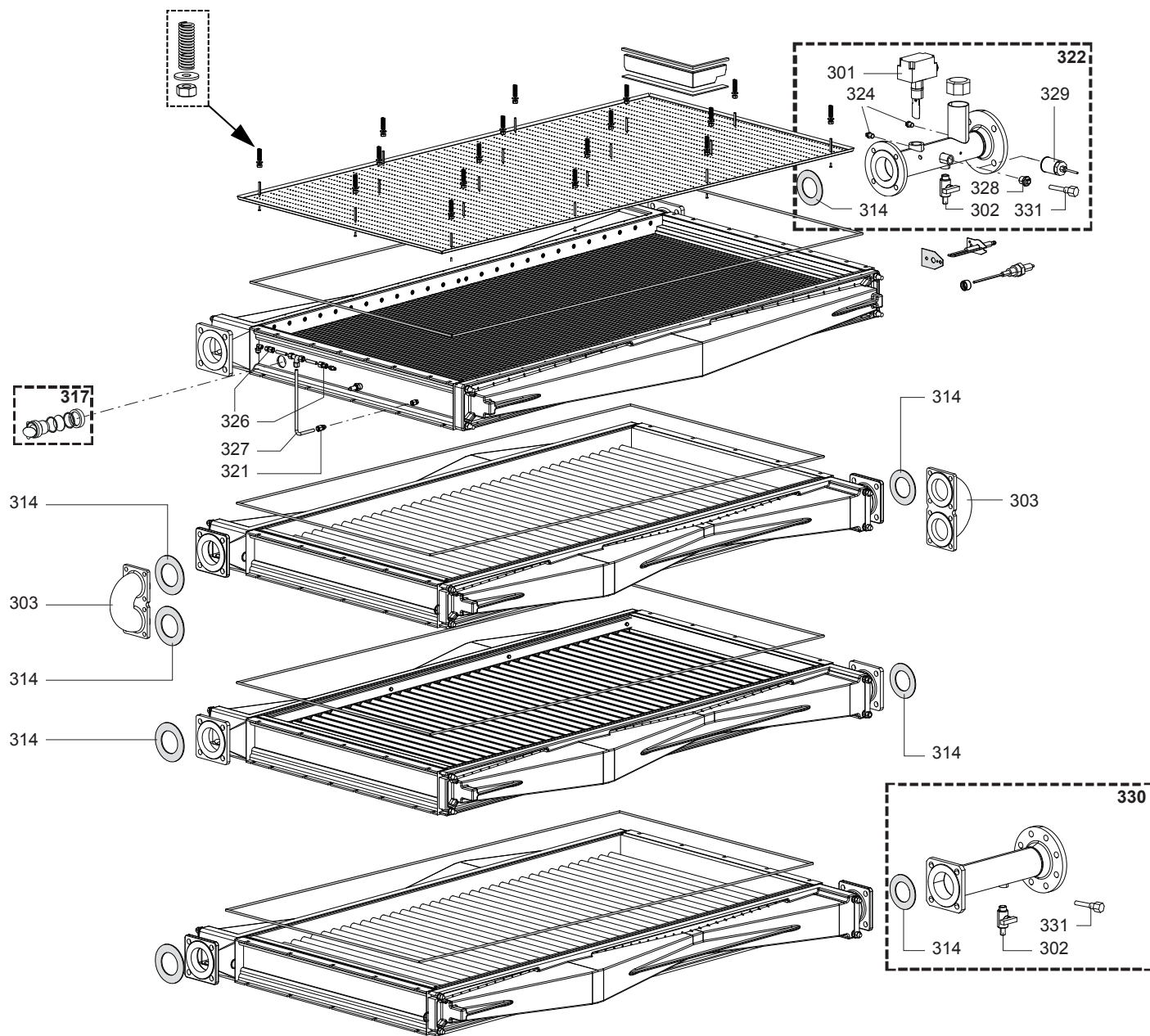
☞	Description	Manf. Pt. N	Type	EVO 700 EVO 800 EVO 900 EVO 1000 EVO 1100 EVO 1200 EVO 1400 EVO 1550 EVO 1700										31								
				1	2	3	4	5	6	7	8	9	10	11	12	13	14	15	16	17	18	From
0101	GAS VALVE	65000500								•	•	•	•									
	GAS VALVE DUNGS MBC-1200-VEF R3456 1-6	65000257		•	•	•	•	•														
0103	GASKET FOR FKS105 NOVAPRESS	64200568		•	•	•	•	•														
0108	GASKET 120X70X3 NEOPR.	64201425							•	•	•	•										
0112	FLEXIBLE TUBE (TEFLON) D:6/8 L: 3M	64280527		•	•	•	•	•	•	•	•	•	•									
0114	TEST POINT 1/8	64211101		•	•	•	•	•	•	•	•	•	•									
0116	CONNECTION HAAKS 1/4 8mm	64200854		•	•	•	•	•	•	•	•	•	•									
0117	CONNECTION 1/8 8mm	64200855		•	•	•	•	•	•	•	•	•	•									
0118	AIR PRESS.SWITCH LGW 3 A4 0,4-3MB	64280407		•	•	•	•	•	•	•	•	•	•									
0119	GASKET	64200989		•	•	•	•	•														
	GASKET	64202283							•	•	•	•										
0120	GASKET D=38mm d=26mm	12038584		•	•	•	•	•														
0122	BURNER JET PILOT	65107922		•	•	•	•	•	•	•	•	•	•									
0127	GAS VALVE ASSCO ASCO APS E262K022S1N	64203552		•	•	•	•	•	•	•	•	•	•									
0132	CONNECTION (1/8 M - STRAIGHT)	64200853		•	•	•	•	•	•	•	•	•	•									
0136	SOLENOID VALVES	64350002		•	•	•	•	•	•	•	•	•	•									
0139	GAS GOVERNOR 1/2 in	64201438		•	•	•	•	•	•	•	•	•	•									
0161	ANTI RESONANCE BAR 1080	64203283		•				•					•									
	ANTI RESONANCE BAR 1180	64203299							•					•								
	ANTI RESONANCE BAR 780	64203339			•																	
	ANTI RESONANCE BAR 880	64203360				•																
	ANTI RESONANCE BAR 980	64203324					•			•												
0162	GASKET (PILOT BURNER)	64202680		•	•	•	•	•	•	•	•	•	•									
0168	GAS PRESSURE SWITCH 0-->150mb	64201433		•	•	•	•	•	•	•	•	•	•									
0170	GAS VALVE BUTTERFLY	65117880							•	•	•	•										
	GAS VALVE BUTTERFLY R3456	64203281		•	•	•	•	•														
0173	CONNECTION 1/2 x 22MM	17016486		•	•	•	•	•	•	•	•	•	•									
0174	LEAKAGE TEST CONTROLLER VPS504/1 EK 02/0	64201535							•	•	•	•										
0178	GASKET	65000504							•	•												
	GASKET	65000505									•	•										
	SEALANT, ADHESIVE 25X3X20,000 MM NEOPR.	64202276		•	•	•	•	•														
0179	DOUBLE NIPPLE 1/2 in	64202728		•	•	•	•	•	•	•	•	•	•									



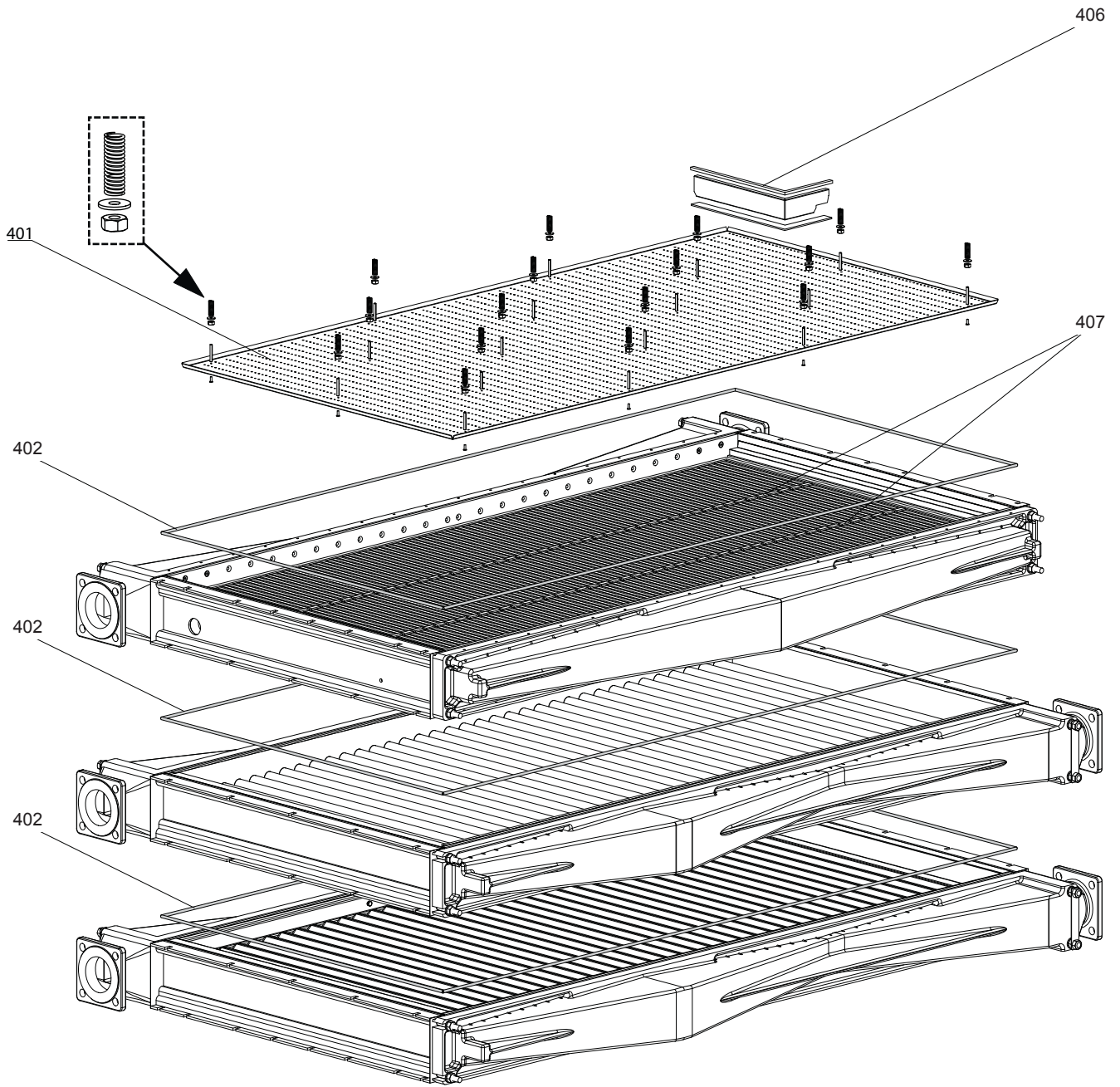
Code	Description	Manf. Pt. N	Type																					
				EVO 700	EVO 800	EVO 900	EVO 1000	EVO 1100	EVO 1200	EVO 1400	EVO 1550	EVO 1700	From	to										
				1	2	3	4	5	6	7	8	9	10	11	12	13	14	15	16	17	18			
0201	MOTOR (FAN)+HALL SENSOR	64203284		•	•																			
	MOTOR FAN+HALL SENSOR	64203340				•	•	•																
	MOTOR FAN+HALL SENSOR	64203403										•	•											
	MOTOR FAN+HALL SENSOR	65117881								•	•													
0202	FAN MOTOR	64200316		•	•	•																		
	FAN MOTOR	64200317					•	•																
	FAN MOTOR 200X92	64202277							•	•	•	•												
0203	FAN GASKET	65000506							•	•	•	•												
	SEALANT, ADHESIVE 25X3X20,000 MM NEOPR.	64202276		•	•	•	•	•																
0205	FAN ASSY	64202284		•	•	•																		
	FAN ASSY	64202285					•	•																
	FAN ASSY	64202286							•	•	•	•												
0207	GASKET	65000504							•	•														
	GASKET	65000505									•	•												
	SEALANT, ADHESIVE 25X3X20,000 MM NEOPR.	64202276		•	•	•	•	•																
0208	RESTRICTION PLATE	17017133		•																				
	RESTRICTION PLATE	17017135			•																			
	RESTRICTION PLATE	17017141					•																	
	RESTRICTION PLATE	65000501						•	•															
	RESTRICTION PLATE	65000502								•														
	RESTRICTION PLATE	65000503										•												
	RESTRICTION PLATE	65107972				•																		
	RESTRICTION PLATE	65107974					•																	
0209	RIDUCTOR	64202298		•	•	•	•																	
	RIDUCTOR	64202299							•	•														
	RIDUCTOR	64202300									•	•												
0210	TOP PANEL R3407 (KIT)	65000511							•															
	TOP PANEL R3408 (KIT)	65000512								•														
	TOP PANEL R3409 (KIT)	65000513									•													
	TOP PANEL R3410 (KIT)	65000514										•												
	UPPER COVER PLATE	65107926		•																				
	UPPER COVER PLATE	65107942			•																			
	UPPER COVER PLATE	65107952				•																		
	UPPER COVER PLATE	65107957					•																	
UPPER COVER PLATE	65107967						•																	
0212	AIR INLET BOX	65000527							•	•	•	•												
	BODY AIR INTAKE ASS. 36XX XXL	64203420		•	•	•	•	•																
0240	MOUNTING FRAME FAN MOTOR	17016706		•	•	•	•	•																
	MOUNTING FRAME FAN MOTOR	64203568							•	•	•	•												
0241	AIR INLET GRID TRXXL	65117882							•	•	•	•												
	PLATE PLATE GRILL AIR INLET	64203421		•	•	•	•	•																

TRIGON XXL EVO

Gas-stand. boiler atm. burner

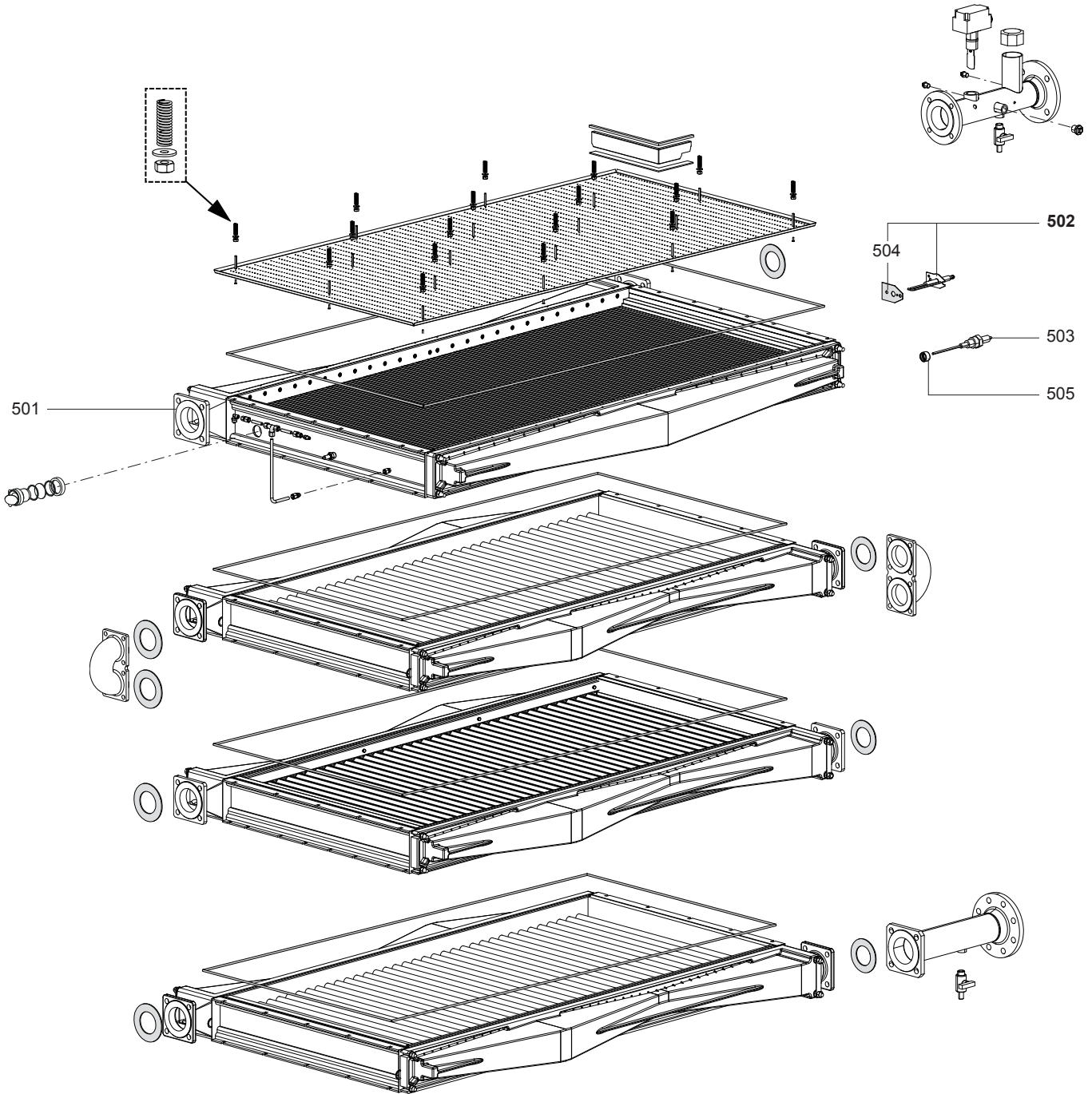


☉⇒	Description	Manf. Pt. N	Type	EVO 700 EVO 800 EVO 900 EVO 1000 EVO 1100 EVO 1200 EVO 1400 EVO 1550 EVO 1700																		31	
				1	2	3	4	5	6	7	8	9	10	11	12	13	14	15	16	17	18	From	to
0301	FLOW SWITCH F61SB-9100	64210206		•	•	•	•	•	•	•	•	•	•	•	•	•	•	•	•				
0302	TAP (1/2 )	64211228		•	•	•	•	•	•	•	•	•	•	•	•	•	•	•	•				
0303	ELBOW (PRIMARY HEAT EXC. SUPPLY RETURN)	64203314		•																			
	ELBOW (PRIMARY HEAT EXC. SUPPLY RETURN)	64203336			•	•	•	•	•	•	•	•	•	•	•	•	•	•	•				
0314	GASKET 115X77X3 NEOPR.	64200998		•																			
	GASKET 131X84X3 NEOPR. 2 INLAYS	64200995			•	•	•	•	•	•	•	•	•	•	•	•	•	•	•				
0317	SIGHT GLASS ASSY (WITH MIRROR)	12083849		•	•	•	•	•	•	•	•	•	•	•	•	•	•	•	•				
0321	CONNECTION 1/8 D.8	64280467		•	•	•	•	•	•	•	•	•	•	•	•	•	•	•	•				
0322	PIPE (WATER SUPPLY)	64203337			•	•	•	•	•	•	•	•	•	•	•	•	•	•	•				
	PIPE (WATER SUPPLY-COMPLETE)	64203280		•																			
0324	PLUG 1/4 in	64202105		•	•	•	•	•	•	•	•	•	•	•	•	•	•	•	•				
0326	CONNECTION 1/8 D.8	65108209		•	•	•	•	•	•	•	•	•	•	•	•	•	•	•	•				
0327	COPPER PIPE 6X8 mm L:2m	65108213		•	•	•	•	•	•	•	•	•	•	•	•	•	•	•	•				
0328	PLUG 1/2 in	64202106		•	•	•	•	•	•	•	•	•	•	•	•	•	•	•	•				
0329	PRESSURE SENSOR	64201865		•	•	•	•	•	•	•	•	•	•	•	•	•	•	•	•				
0330	PIPE (WATER RETURN)	64203326		•																			
	PIPE (WATER RETURN)	64203338			•	•	•	•	•	•	•	•	•	•	•	•	•	•	•				
0331	SENSOR (FLOW-RETURN)	65000315		•	•	•	•	•	•	•	•	•	•	•	•	•	•	•	•				

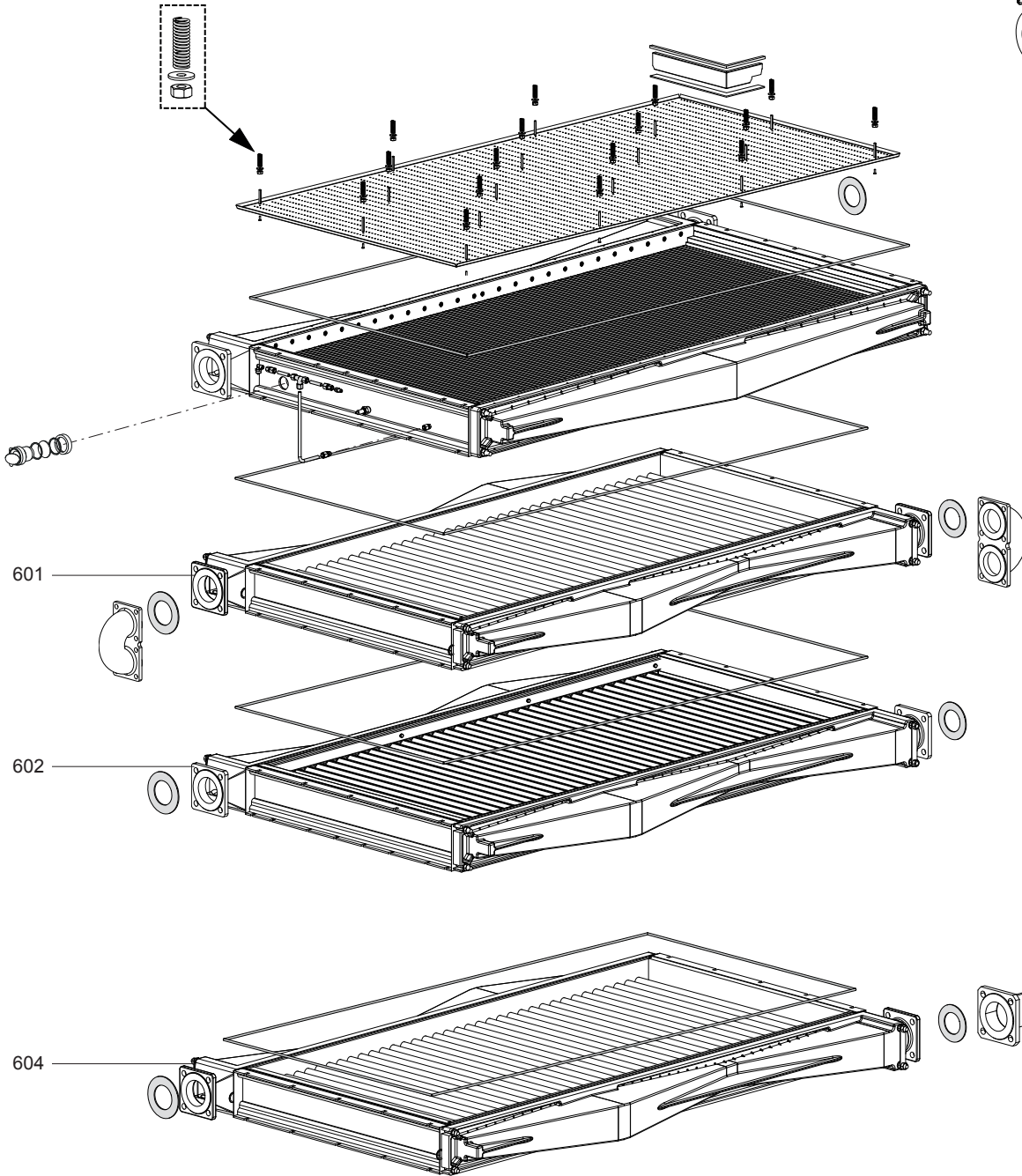
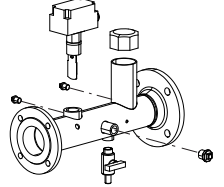
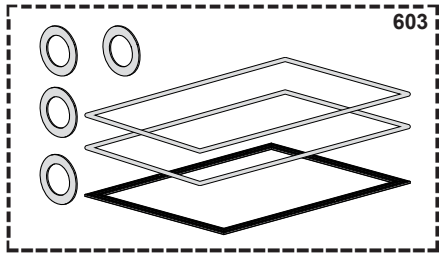




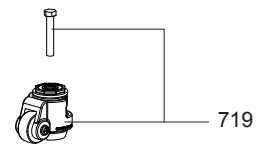
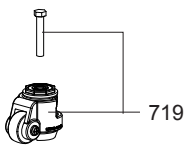
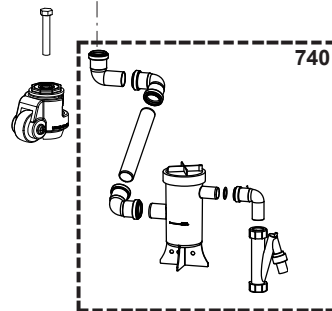
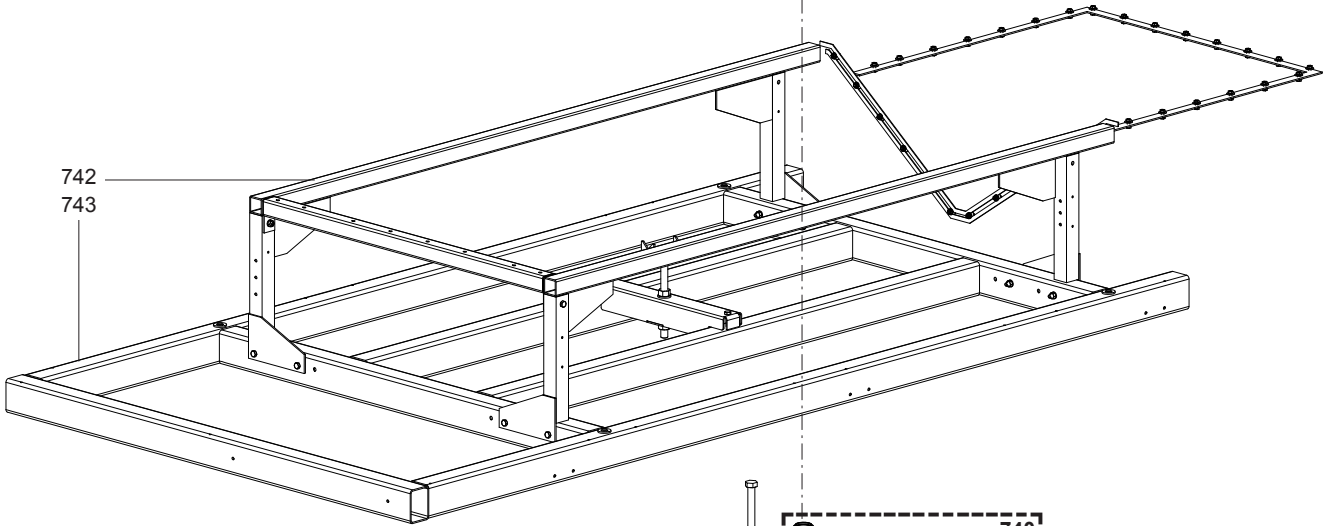
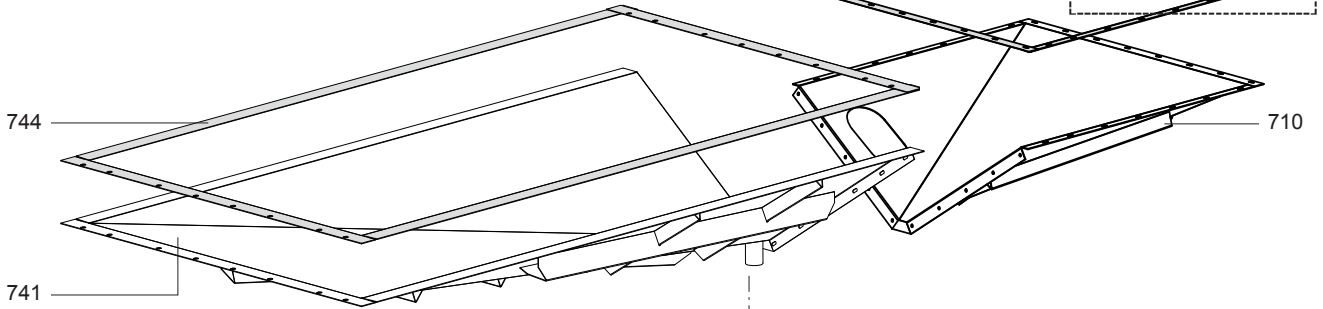
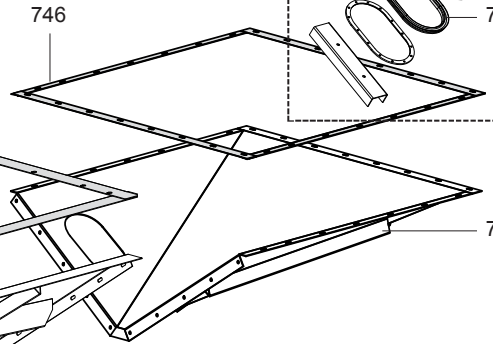
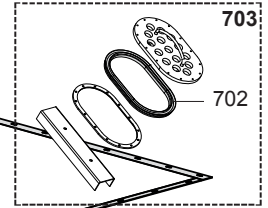
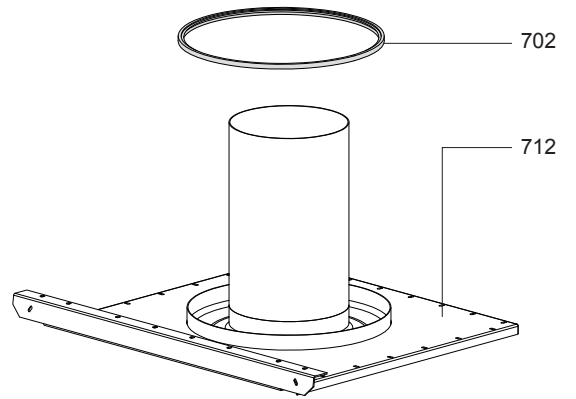
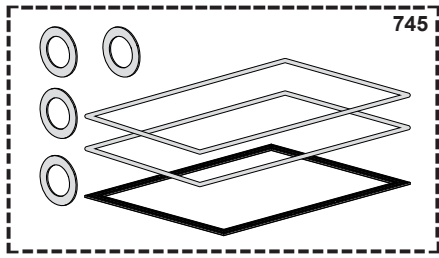
☉ →	Description	Manf. Pt. N	Type	EVO 700	EVO 800	EVO 900	EVO 1000	EVO 1100	EVO 1200	EVO 1400	EVO 1550	EVO 1700	31										
				1	2	3	4	5	6	7	8	9	10	11	12	13	14	15	16	17	18	From	to
0401	SPREADER PLATE	65000507						•															
	SPREADER PLATE	65000508							•														
	SPREADER PLATE	65000509								•													
	SPREADER PLATE	65000510									•												
	SPREADER PLATE	65107925		•																			
	SPREADER PLATE	65107941			•																		
	SPREADER PLATE	65107951				•																	
	SPREADER PLATE	65107956					•																
	SPREADER PLATE	65107966						•															
0402	SEAL (SILICON TUBE)	64201428		•																			
	SEAL (SILICON TUBE)	64201429			•																		
	SEAL (SILICON TUBE)	64201430				•																	
	SEAL (SILICON TUBE)	64201431					•																
	SEAL (SILICON TUBE)	64201432						•															
	SEAL (SILICON TUBE)	64201589							•														
	SEAL (SILICON TUBE)	64201590								•													
	SEAL (SILICON TUBE)	64201591									•												
	SEAL (SILICON TUBE)	64201592										•											
0406	PANEL (INSULATION) 10X6mm L:10m	64200229		•	•	•	•	•	•	•	•	•											
0407	GASKET 12X3X20000 mm NEOPR.	12016166		•	•	•	•	•	•	•	•	•											



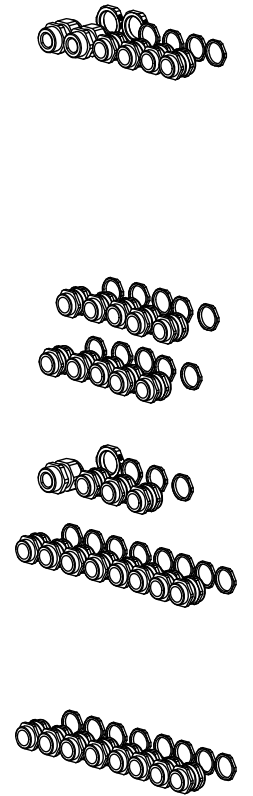
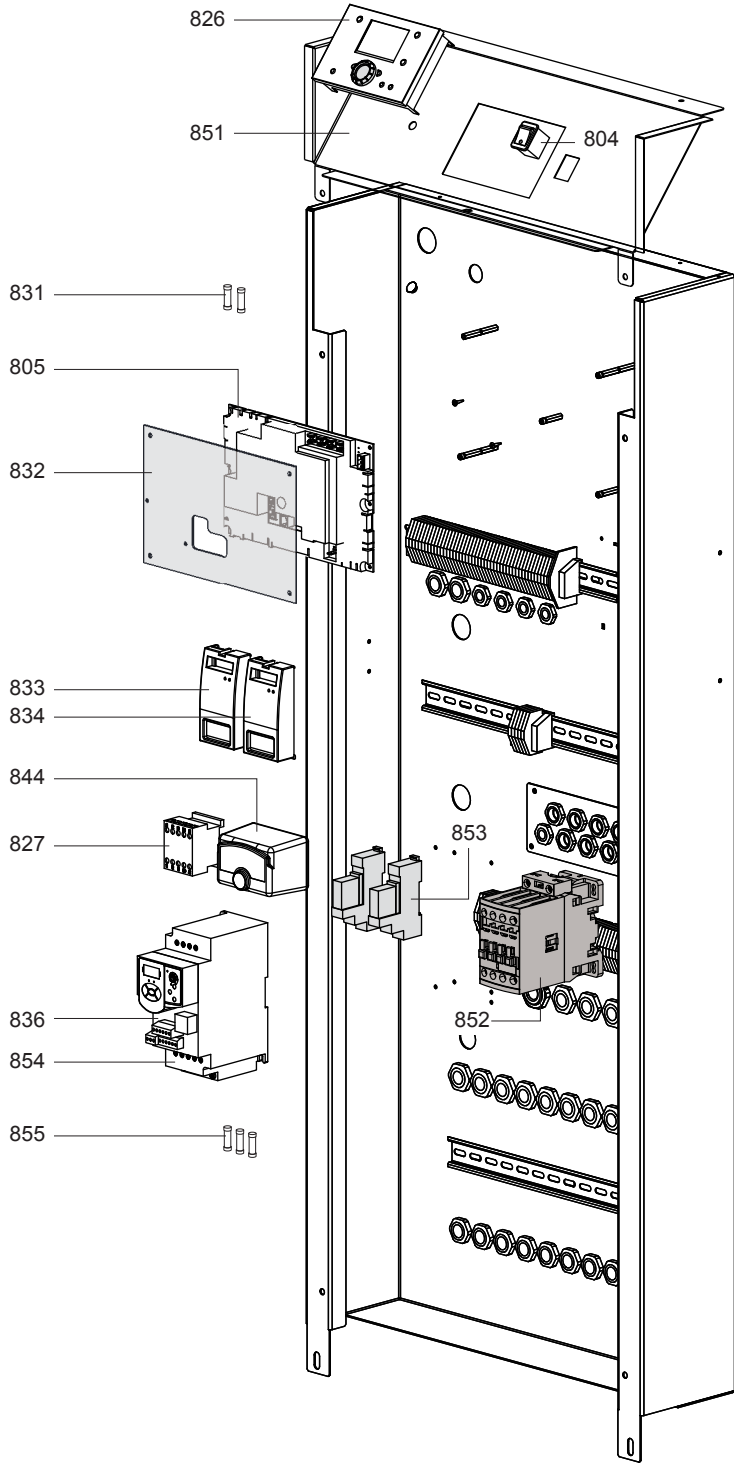
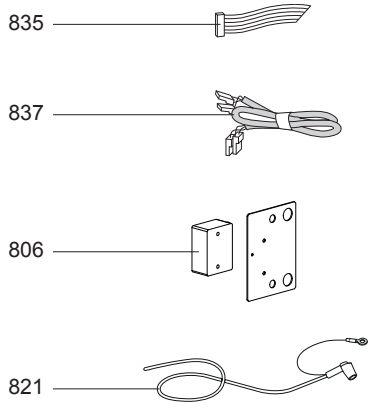




Description	Manf. Pt. N	Type	<div style="display: flex; justify-content: space-between; padding: 2px;"> <span>EVO 700</span><span>EVO 800</span><span>EVO 900</span><span>EVO 1000</span><span>EVO 1100</span><span>EVO 1200</span><span>EVO 1400</span><span>EVO 1550</span><span>EVO 1700</span> </div>																		31	
			1	2	3	4	5	6	7	8	9	10	11	12	13	14	15	16	17	18	From	to
0601 1° HEAT EXCHANGER XXL SE1000 EVO900	64203354						•															
1° HEAT EXCHANGER XXL SE1100 EVO1000	64203366						•															
1° HEAT EXCHANGER XXL SE1200 EVO1100	64203379							•														
1° HEAT EXCHANGER XXL SE1300 EVO1200	65117873								•													
1° HEAT EXCHANGER XXL SE1500 EVO1400	64203386									•												
1° HEAT EXCHANGER XXL SE1700 EVO1550	64203399										•											
1° HEAT EXCHANGER XXL SE1900 EVO1700	64203410											•										
1° HEAT EXCHANGER XXL SE750 EVO 700	64203275			•																		
1° HEAT EXCHANGER XXL SE850 EVO800	64203330				•																	
0602 2° HEAT EXCHANGER XXL EVO1000	64203438						•															
2° HEAT EXCHANGER XXL EVO1100	64203446							•														
2° HEAT EXCHANGER XXL EVO1200	64203450								•													
2° HEAT EXCHANGER XXL EVO1400	64203457									•												
2° HEAT EXCHANGER XXL EVO1550	64203463										•											
2° HEAT EXCHANGER XXL EVO1700	64203469											•										
2° HEAT EXCHANGER XXL EVO700	64203415			•																		
2° HEAT EXCHANGER XXL EVO800	64203424				•																	
2° HEAT EXCHANGER XXL EVO900	64203431					•																
0603 DISASSEMBLY KIT R3601SB	17016032			•																		
DISASSEMBLY KIT R3602SB	17016033				•																	
DISASSEMBLY KIT R3603SB	17016034					•																
DISASSEMBLY KIT R3604SB	17016035						•															
DISASSEMBLY KIT R3605SB	17016036							•														
SEALING KIT	65000422								•													
SEALING KIT	65000423									•												
SEALING KIT	65000424										•											
SEALING KIT	65000425											•										
0604 3° HEAT EXCHANGER XXL EVO1000	64203437							•														
3° HEAT EXCHANGER XXL EVO1100	64203445								•													
3° HEAT EXCHANGER XXL EVO1200	64203452									•												
3° HEAT EXCHANGER XXL EVO1400	64203458										•											
3° HEAT EXCHANGER XXL EVO1550	64203462											•										
3° HEAT EXCHANGER XXL EVO1700	64203468												•									
3° HEAT EXCHANGER XXL EVO700	64203414			•																		
3° HEAT EXCHANGER XXL EVO800	64203423				•																	
3° HEAT EXCHANGER XXL EVO900	64203430					•																

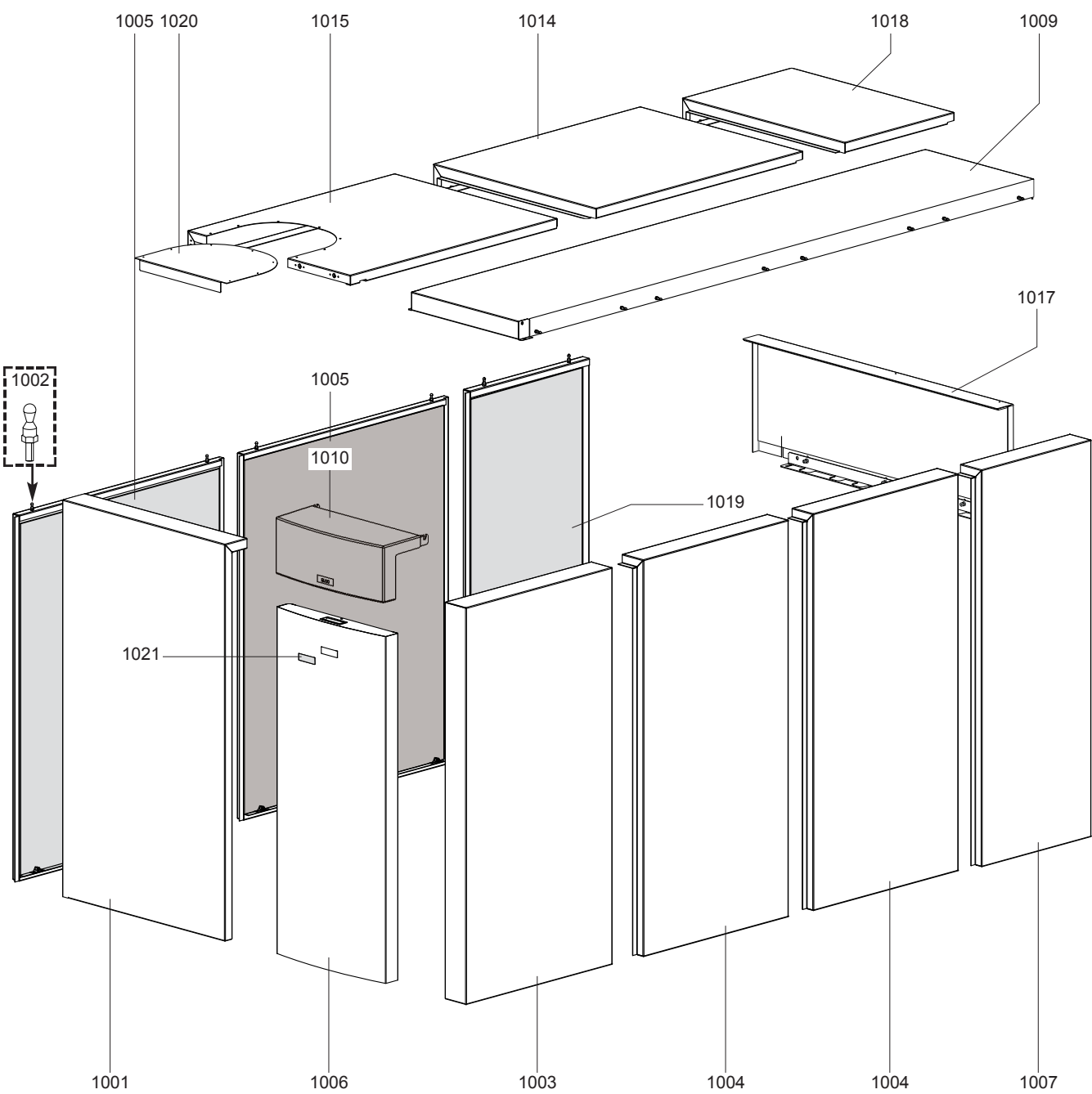


☞	Description	Manf. Pt. N	Type	EVO 700 EVO 800 EVO 900 EVO 1000 EVO 1100 EVO 1200 EVO 1400 EVO 1550 EVO 1700														31				
				1	2	3	4	5	6	7	8	9	10	11	12	13	14	15	16	17	18	From
0702	GASKET L:5m	64200436		•	•	•	•	•	•	•	•	•	•	•	•	•	•	•	•			
0703	COMPLETE INSPECTION COVER	4148707742		•	•	•	•	•	•	•	•	•	•	•	•	•	•	•	•			
0710	RECUPERATOR OF CONDEN.	64201553							•										•			
	RECUPERATOR OF CONDEN.	64201554								•												
	RECUPERATOR OF CONDEN.	64201555									•											
	RECUPERATOR OF CONDEN.	65000427			•																	
	RECUPERATOR OF CONDEN.	65107930		•				•														
	RECUPERATOR OF CONDEN.	65107953				•																
	RECUPERATOR OF CONDEN.	65107959					•															
0712	BASE OF CHIMNEY	64203413		•																		
	BASE OF CHIMNEY	64203444						•														
	BASE OF CHIMNEY	64203505			•																	
	BASE OF CHIMNEY	64203507				•																
	BASE OF CHIMNEY	64203508					•															
	BASE OF CHIMNEY	64203509							•													
	COND. TRAY TOP PLATE XXL SE1500 EV01400	64203456								•												
	COND. TRAY TOP PLATE XXL SE1700 EV01550	64203461									•											
	COND. TRAY TOP PLATE XXL SE1900 EV01700	64203467										•										
0719	FRAME WHEEL	64203271		•	•	•	•	•	•	•	•	•	•	•	•	•	•	•	•			
0740	SYPHONE (COMPLETE)	64203311		•	•	•	•	•	•	•	•	•	•	•	•	•	•	•	•			
0741	COND. TRAY TOP PLATE XXL SE1300 EVO1200	64203449								•												
	CONDENSATE TRAY FRONT	12052279		•																		
	CONDENSATE TRAY FRONT	64203327			•																	
	CONDENSATE TRAY FRONT	64203363					•															
	CONDENSATE TRAY FRONT	64203376						•														
	CONDENSATE TRAY FRONT R3501	64203510							•													
	CONDENSATE TRAY FRONT R3501	64203511								•												
	CONDENSATE TRAY FRONT R3501	64203512									•											
	CONDENSATE TRAY FRONT R3603	64202923				•																
0742	FRAME (UPPER PART)	64203383		•																		
	FRAME (UPPER PART)	64203397			•	•	•	•														
	FRAME (UPPER PART)	64203407							•													
	FRAME (UPPER PART)	65117870								•	•	•										
0743	FRAME (LOWER PART)	64203315			•	•																
	FRAME (LOWER PART)	64203325					•	•														
	FRAME (LOWER PART)	64203350							•													
	FRAME (LOWER PART)	64203362								•												
	FRAME (LOWER PART)	64203375									•	•										
	FRAME (LOWER PART-750 KW)	64203270		•																		
0744	SEAL (SILICON TUBE)	64201428		•																		
	SEAL (SILICON TUBE)	64201429		•																		
	SEAL (SILICON TUBE)	64201430			•																	
	SEAL (SILICON TUBE)	64201431				•																
	SEAL (SILICON TUBE)	64201432					•															
	SEAL (SILICON TUBE)	64201589						•														
	SEAL (SILICON TUBE)	64201590							•													
	SEAL (SILICON TUBE)	64201591								•												
	SEAL (SILICON TUBE)	64201592									•											
0745	DISASSEMBLY KIT R3601SB	17016032		•																		
	DISASSEMBLY KIT R3602SB	17016033			•																	
	DISASSEMBLY KIT R3603SB	17016034				•																
	DISASSEMBLY KIT R3604SB	17016035					•															
	DISASSEMBLY KIT R3605SB	17016036						•														
	SEALING KIT	65000422							•													
	SEALING KIT	65000423								•												
	SEALING KIT	65000424									•											
	SEALING KIT	65000425										•										
0746	SEALANT, ADHESIVE 25X3X20,000 MM NEOPR.	64202276		•	•	•	•	•	•	•	•	•	•	•	•	•	•	•	•			











## LIST OF THE ABBREVIATIONS

HW .....	: Hot water.
CW .....	: Cold water.
C .....	: Ceramic resistance (normal heating).
Ca .....	: Ceramic resistance (accelerated heating)
TP .....	: Immersion heater.
1F .....	: With fittings.
2F .....	: Without fittings.
3F .....	: With fittings and another outlet connection.
AMI .....	: With mixing valve.
SMI .....	: Without mixing valve.
PUISS .....	: Power of th appliance.
PN .....	: Appliance with normal pression.
LP .....	: Appliance with low pression.
PV .....	: Appliance with variable power.
PF .....	: Appliance with fixed power.

## IDENTIFICATION PLATE

### SERIAL NUMBER

<b>10 Characters :</b>	04 05 125 011	
		Sequential number
		Manufacturing day
		Year of manufacture
<b>11 Characters :</b>	1 95 065004 - 31	
Month of manufacture :		Technical number of the appliance
from 1 to 9 → Jan. to Sep.,		Sequential number
O → Oct., N → Nov.,		Year of manufacture
D → Dec.		
<b>19 Characters :</b>	08 05 0013199 900640031	
Year of manufacture		Product reference
Month of manufacture		Sequential number
<b>20 Characters :</b>	3675007 XX 2 07 070 00315	
Product reference		Sequential number
Millenium of manufacture		Manufacturing day
		Year of manufacture
<b>21 Characters :</b>	3675007 XX 07 070 0000315	
Product reference		Sequential number
Year of manufacture		Manufacturing day