



SPARE PARTS EXPLODED VIEW GAS-WALL CONDENSING BOILERS

Model

THISION L ECO

R8217541-03 - 14/03/2018

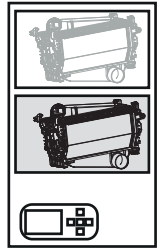
THISION L ECO

Gas-wall condensing boilers

1	3900020	THISION L ECO 70	07-2016	-
2	3900021	THISION L ECO 100	07-2016	-
3	3900022	THISION L ECO 120	07-2016	-

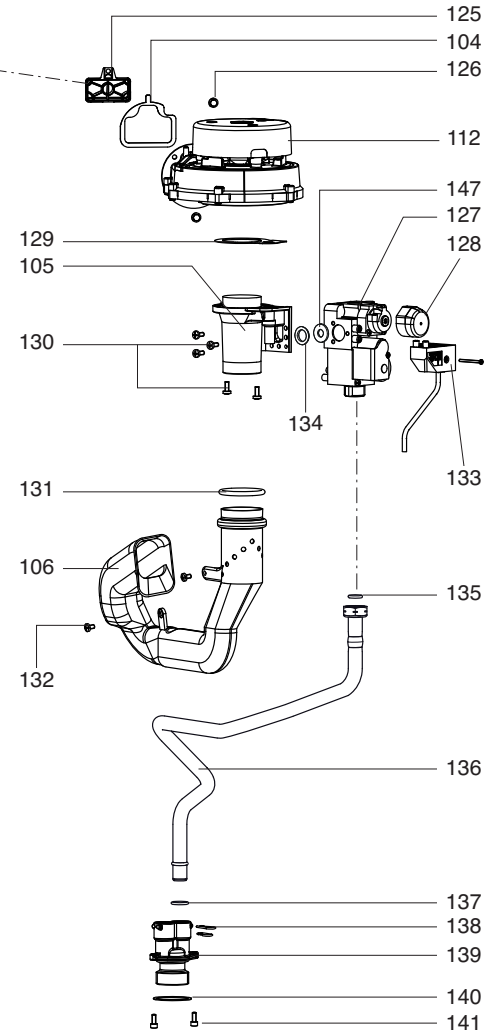
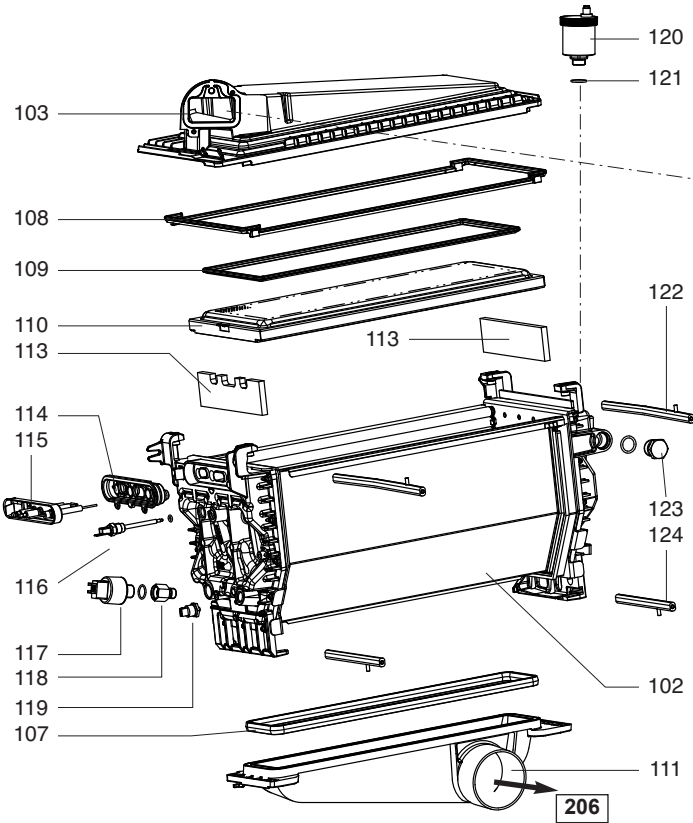
Col	Reference	Model type	Begin	End
-----	-----------	------------	-------	-----

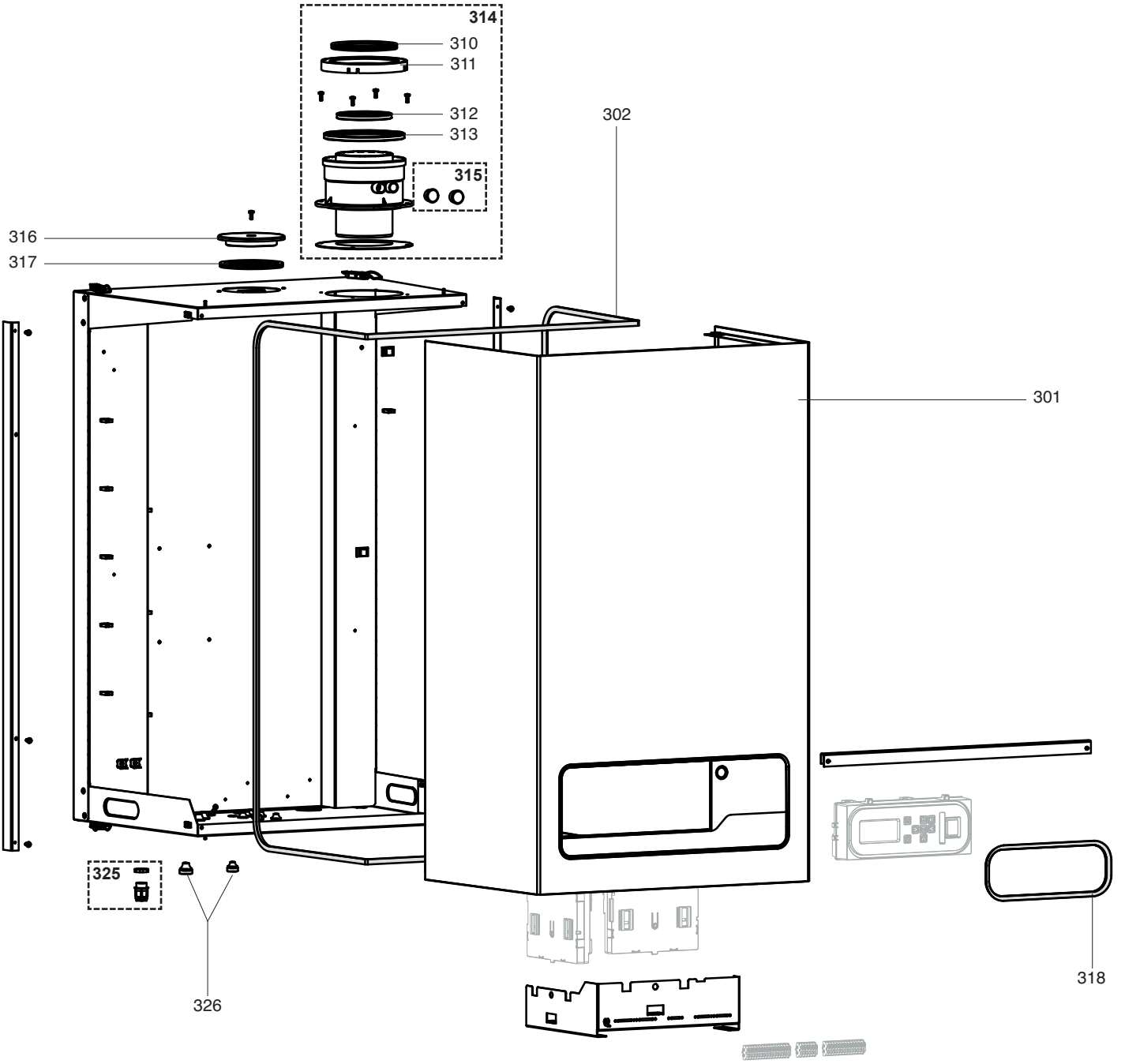
100-120 KW

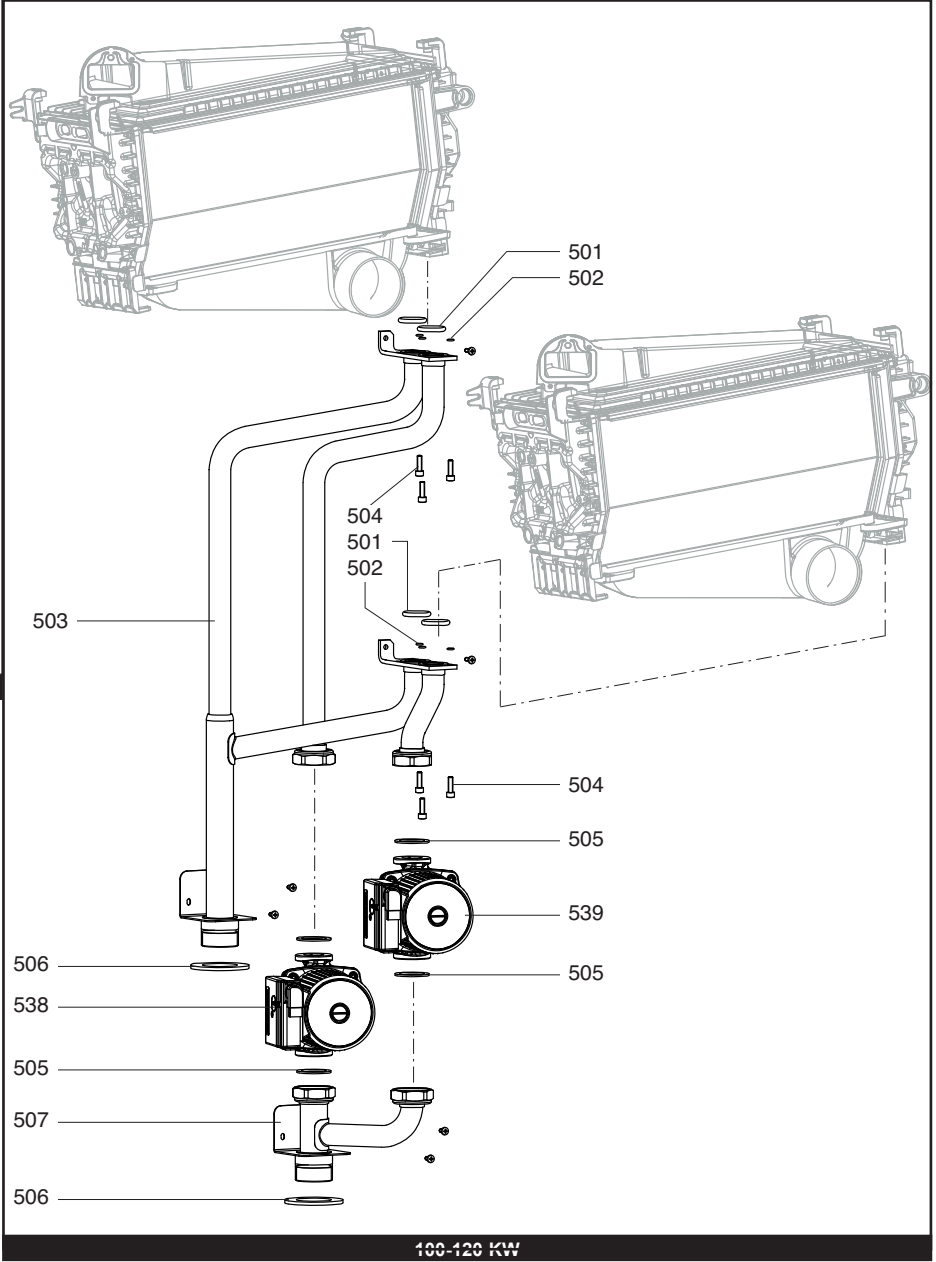
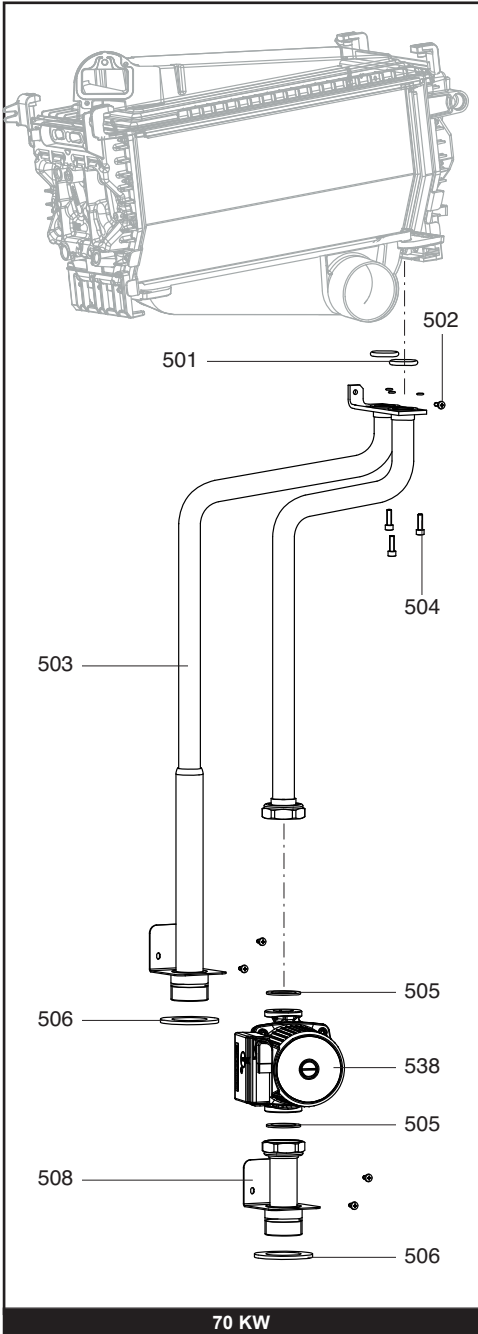


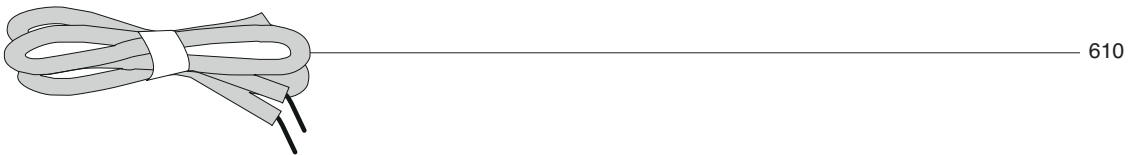
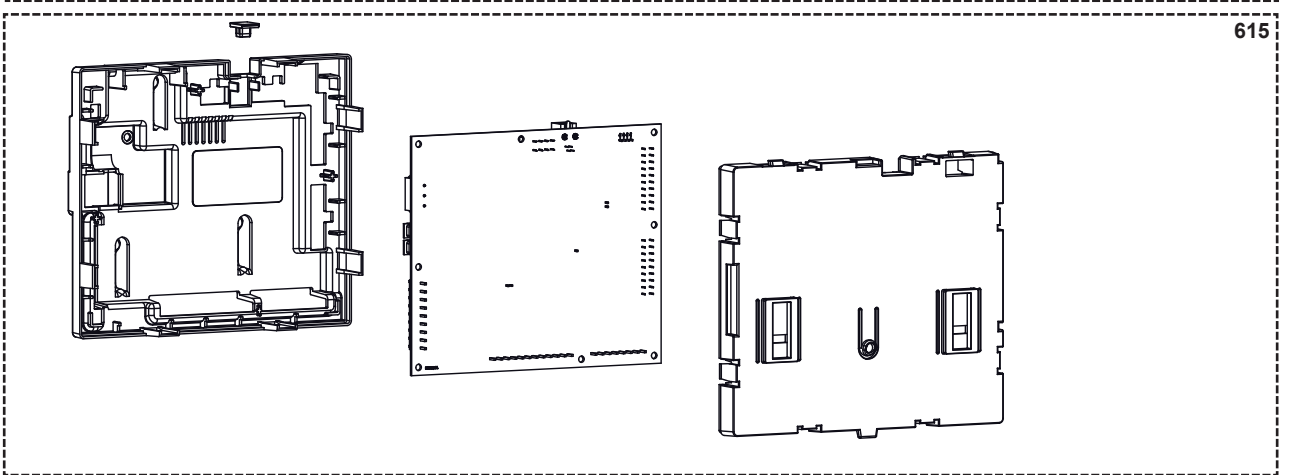
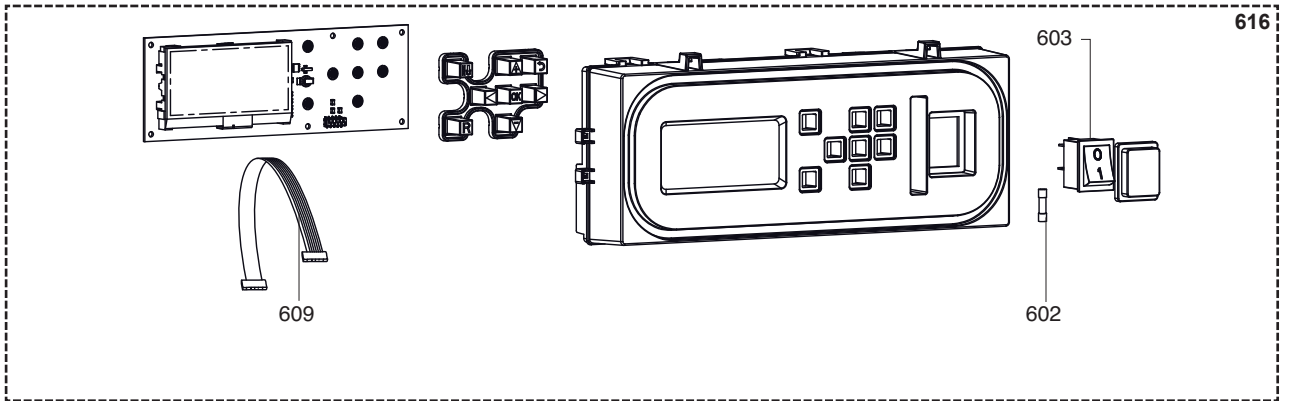
THISION L ECO

НАСТЕННИЙ КОМБИНИРОВАННЫЙ









LIST OF THE ABBREVIATIONS

HW	: Hot water.
CW	: Cold water.
C	: Ceramic resistance (normal heating).
Ca	: Ceramic resistance (accelerated heating)
TP	: Immersion heater.
1F	: With fittings.
2F	: Without fittings.
3F	: With fittings and another outlet connection.
AMI	: With mixing valve.
SMI	: Without mixing valve.
PUISS	: Power of th appliance.
PN	: Appliance with normal pression.
LP	: Appliance with low pression.
PV	: Appliance with variable power.
PF	: Appliance with fixed power.

IDENTIFICATION PLATE

SERIAL NUMBER

10 Characters :	04 05 125 011	Sequential number Manufacturing day Year of manufacture
11 Characters :	1 95 065004 - 31	Technical number of the appliance Sequential number Year of manufacture
Month of manufacture : from 1 to 9 → Jan. to Sep., O → Oct., N → Nov., D → Dec.		
19 Characters :	08 05 0013199 900640031	Product reference Sequential number
Year of manufacture Month of manufacture		
20 Characters :	3675007 XX 2 07 070 00315	Sequential number Manufacturing day Year of manufacture
Product reference Millenium of manufacture		
21 Characters :	3675007 XX 07 070 0000315	Sequential number Manufacturing day
Product reference Year of manufacture		